

# Nutribio FlowTrace Fertility 6++

**Infertility costs the average farmer of 100 cow herd at least €20,259 (U.C.D. '04)**

- Irish grassland is deficient in trace elements (*Teagasc, Rogers & Gately*)
- Nutribio FlowTrace Fertility 6++ as part of a good management system is designed to address FERTILITY related trace element imbalances.

## Breakdown of savings with FlowTrace Fertility 6++ in conjunction with good Management.

- \* **Reduced calving interval €7700** (€3.08 / animal / day—25 day period)
- \* **Reduced services per conception €1639** (2.37 straws—1.82 straws av. €29.8 per straw)
- \* **Reduced Infertility culling percentage €10,920** ( 13.8% to 6% ... 7.8% x €1400 x 100)



**Cost of using the Flow trace Fertility 6 ++ system: 17 cent per head per day for 13 weeks. 100 cows = €1547**

**Feb, March, April 09 promotion**  
**1 free Flowtrace 6++ (25ltr) with every 7 purchased.**

*8 x 25litre drums is sufficient for 65 cows for the recommended 13 week breeding program*

Iodine	Selenium	Zinc	Copper	Manganese	Cobalt	Recommended Feeding rate
mg/L	mg/L	mg/L	mg/L	mg/L	mg/L	
2000	150	12500(10% Protected)	12500 (10% Protected)	1250	300	Diluted product 1:10 Feed 200-400ml/head/day

**Feed 3 wks before and 10 wks after the planned breeding season**

*1 x 25 litre drum provides 750 feeds.*



## Other potential benefits

- \* Reduced AI. costs
- \* Reduced veterinary treatment costs and welfare costs
- \* Reduced disruption to calving and disruption to milk production pattern
- \* Reduced nutritional imbalances which lead to metabolic disorders (hoof problems, foetal reabsorption, poor thrive, retained placentas, white muscle disease)
- \* Reduced loss of valuable genetics

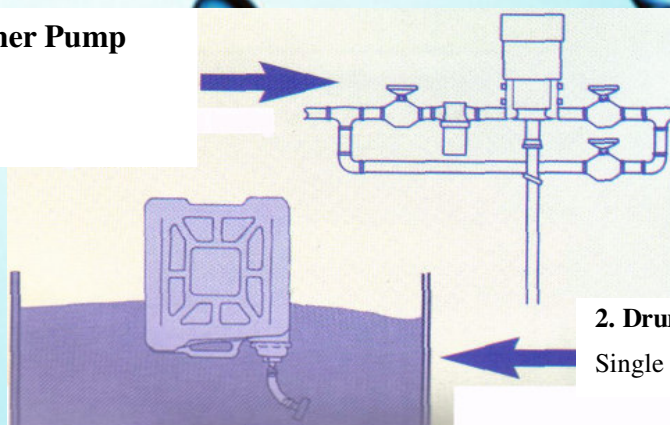
## How to administer the Product

**FlowTrace Fertility 6++ is administered through the drinking trough using one of two suggested methods. The liquid is blue to ensure that farmers know it is present. This product must be diluted 1:10 before using.**

**Method 1:** Using a Proportioner Pump. This is an on-line metering pump treating all drinking troughs.

**Method 2:** Using a Dispenser. The daily dose is added into the drum (depends on the number of animals), the dispenser is attached to drum & placed in the drinking water.

1. Proportioner Pump



2. Drum Dispenser

Single trough, daily dose